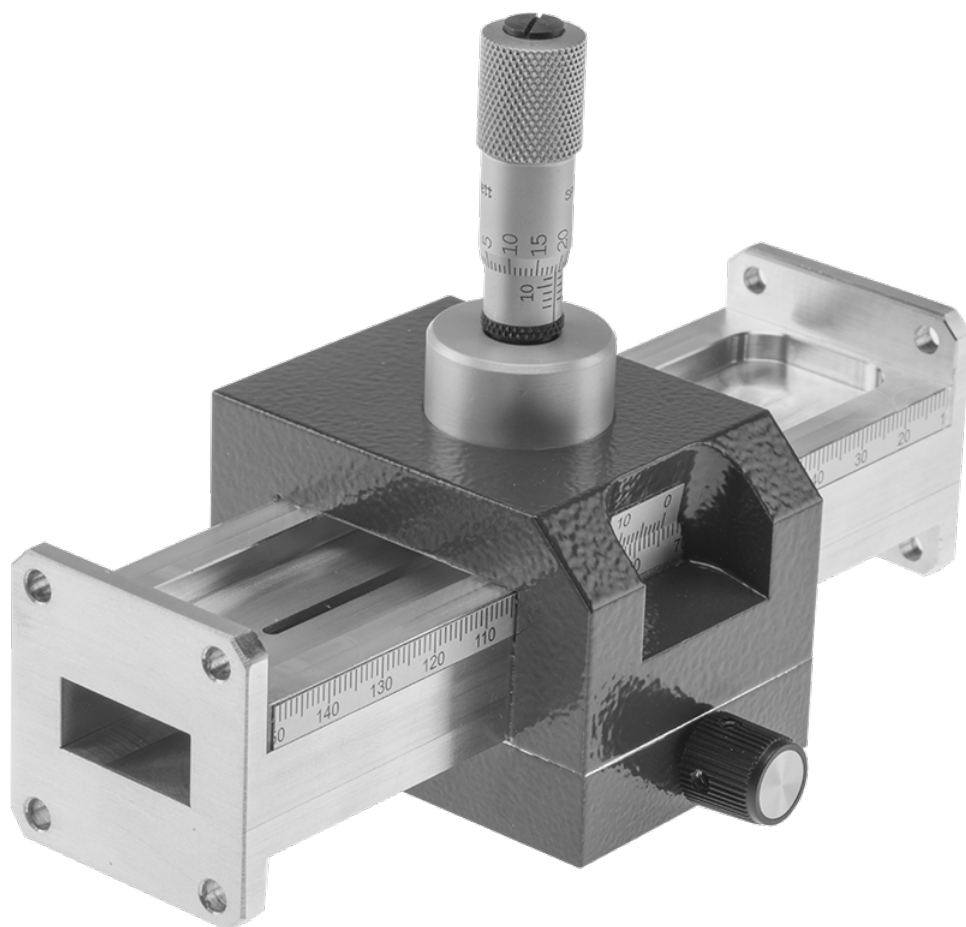


Slide-Screw Tuner 581842 (9530-00)

FESTO

LabVolt Series

Datasheet



* The product images shown in this document are for illustration purposes; actual products may vary. Please refer to the Specifications section of each product/item for all details. Festo Didactic reserves the right to change product images and specifications at any time without notice.

Festo Didactic
en
11/2024

Table of Contents

| | |
|---------------------|---|
| General Description | 3 |
| Specifications | 3 |

General Description

The Slide-Screw Tuner consists of a variable susceptance of adjustable position that allows the matching of a load to be carried out without calculations. The value of the reactance provided by the Slide-Screw Tuner can be varied and its position adjusted to minimize the reflection coefficient in the waveguide.

Specifications

| Parameter | Value |
|----------------|--------|
| Insertion Loss | 0.2 dB |

Reflecting the commitment of Festo Didactic to high quality standards in product, design, development, production, installation, and service, our manufacturing and distribution facility has received the ISO 9001 certification.

Festo Didactic reserves the right to make product improvements at any time and without notice and is not responsible for typographical errors. Festo Didactic recognizes all product names used herein as trademarks or registered trademarks of their respective holders. © Festo Didactic Inc. 2024. All rights reserved.

Festo Didactic SE

Rechbergstrasse 3
73770 Denkendorf
Germany

P. +49(0)711/3467-0
F. +49(0)711/347-54-88500

Festo Didactic Inc.

607 Industrial Way West
Eatontown, NJ 07724
United States

P. +1-732-938-2000
F. +1-732-774-8573

Festo Didactic Ltée/Ltd

675 rue du Carbone
Québec QC G2N 2K7
Canada

P. +1-418-849-1000
F. +1-418-849-1666

www.labvolt.com

www.festo-didactic.com