

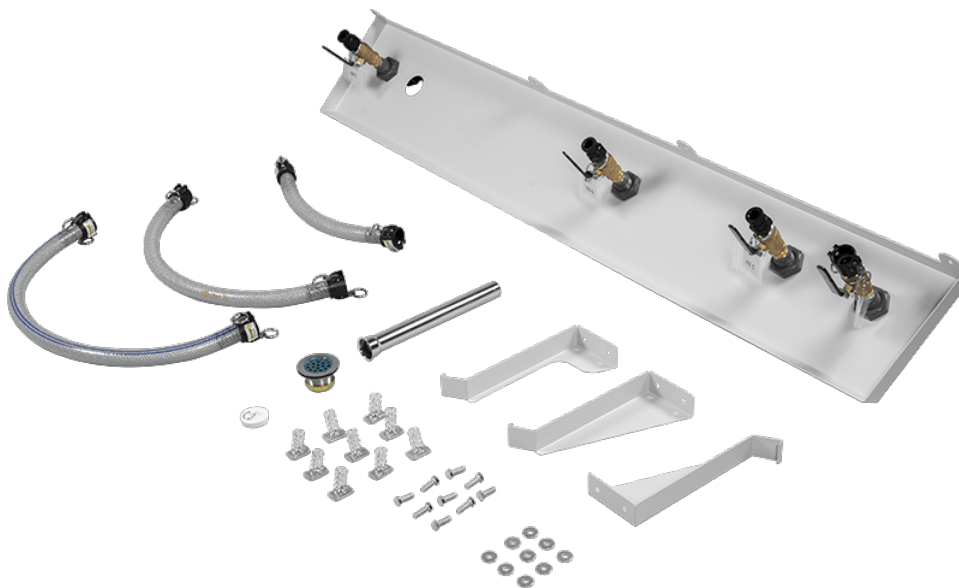
# Drip Tray (Front)

582447 (46992-B0)

**FESTO**

LabVolt Series

Datasheet



\* The product images shown in this document are for illustration purposes; actual products may vary. Please refer to the Specifications section of each product/item for all details. Festo Didactic reserves the right to change product images and specifications at any time without notice.

Festo Didactic  
en  
11/2024

## Table of Contents

General Description	3
---------------------	---

---

## General Description

The Drip Tray is a package containing a large painted stainless steel drip tray to collect the water. A series of hand valves and a drain tube are also included, along with associated parts.

This model is available in two different versions: One for the front side of the workstation and one for the back side (Second team side).

Available versions:

- 46992-B Drip Tray (Front)
- 46992-C Drip Tray (Back)

Reflecting the commitment of Festo Didactic to high quality standards in product, design, development, production, installation, and service, our manufacturing and distribution facility has received the ISO 9001 certification.

Festo Didactic reserves the right to make product improvements at any time and without notice and is not responsible for typographical errors. Festo Didactic recognizes all product names used herein as trademarks or registered trademarks of their respective holders. © Festo Didactic Inc. 2024. All rights reserved.

**Festo Didactic SE**

Rechbergstrasse 3  
73770 Denkendorf  
Germany

P. +49(0)711/3467-0  
F. +49(0)711/347-54-88500

**Festo Didactic Inc.**

607 Industrial Way West  
Eatontown, NJ 07724  
United States

P. +1-732-938-2000  
F. +1-732-774-8573

**Festo Didactic Ltée/Ltd**

675 rue du Carbone  
Québec QC G2N 2K7  
Canada

P. +1-418-849-1000  
F. +1-418-849-1666

[www.labvolt.com](http://www.labvolt.com)

[www.festo-didactic.com](http://www.festo-didactic.com)