

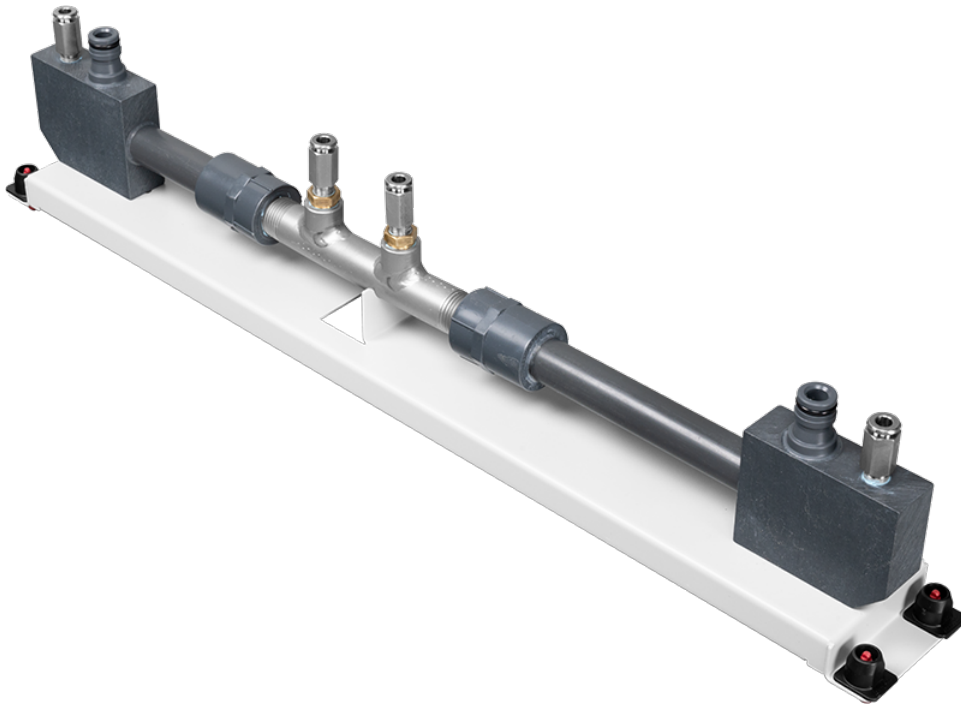
# Pitot Tube

588237 (6554-00)

**FESTO**

LabVolt Series

Datasheet



\* The product images shown in this document are for illustration purposes; actual products may vary. Please refer to the Specifications section of each product/item for all details. Festo Didactic reserves the right to change product images and specifications at any time without notice.

Festo Didactic  
en  
11/2024

## Table of Contents

General Description	3
Specifications	3

## General Description

The Pitot Tube consists of a pitot tube with a nominal pipe size of 1.27 cm (0.5 in), schedule 40. Its instrument connection size is 0.635 cm (0.25 in) FNPT, and its maximal pressure differential is 400 in H<sub>2</sub>O (99.6 kPa, 14.45 psi).

## Specifications

Parameter	Value
Nominal Pipe Size	1.27 cm (0.5 in) - Schedule 40
Instrument Connection Size	0.635 cm (0.25 in) FNPT
Maximal Pressure Differential	400 in H <sub>2</sub> O (14.45 psi, 99.6 kPa)

Reflecting the commitment of Festo Didactic to high quality standards in product, design, development, production, installation, and service, our manufacturing and distribution facility has received the ISO 9001 certification.

Festo Didactic reserves the right to make product improvements at any time and without notice and is not responsible for typographical errors. Festo Didactic recognizes all product names used herein as trademarks or registered trademarks of their respective holders. © Festo Didactic Inc. 2024. All rights reserved.

**Festo Didactic SE**

Rechbergstrasse 3  
73770 Denkendorf  
Germany

P. +49(0)711/3467-0  
F. +49(0)711/347-54-88500

**Festo Didactic Inc.**

607 Industrial Way West  
Eatontown, NJ 07724  
United States

P. +1-732-938-2000  
F. +1-732-774-8573

**Festo Didactic Ltée/Ltd**

675 rue du Carbone  
Québec QC G2N 2K7  
Canada

P. +1-418-849-1000  
F. +1-418-849-1666

[www.labvolt.com](http://www.labvolt.com)

[www.festo-didactic.com](http://www.festo-didactic.com)