

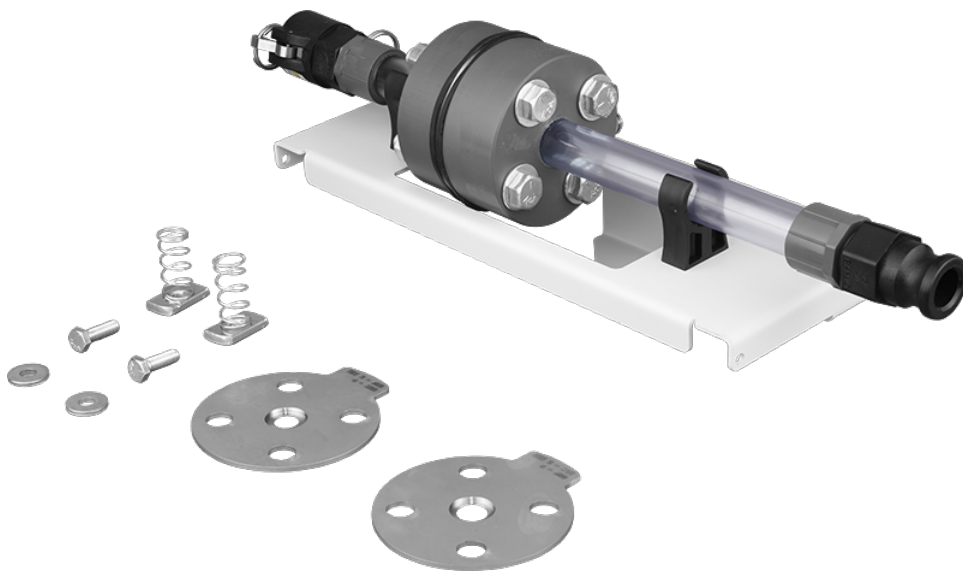
# Orifice Plate

588315 (46912-00)

**FESTO**

LabVolt Series

Datasheet



\* The product images shown in this document are for illustration purposes; actual products may vary. Please refer to the Specifications section of each product/item for all details. Festo Didactic reserves the right to change product images and specifications at any time without notice.

Festo Didactic  
en  
11/2024

## Table of Contents

General Description _____	3
List of Manuals _____	3
Table of Contents of the Manual(s) _____	3

## General Description

The Orifice Plate is a flow measurement device using the Venturi effect to produce a pressure drop from which the flow rate can be inferred. This primary element consists of a thin metal plate with a sharp-edged upstream aperture (orifice) inserted between two flanges at the location where the flow must be determined. This model is provided with three different plates.

The Orifice Plate requires the use of a differential-pressure transmitter to transform the pressure drop into a usable flow rate value.

## List of Manuals

Description	Manual number
Flow Primary Elements (Workbook) _____	585135 (85996-00)
Flow Primary Elements (Workbook (Instructor)) _____	585136 (85996-10)

## Table of Contents of the Manual(s)

### Flow Primary Elements (Workbook) (585135 (85996-00))

- 1 Orifice Plate
- 2 Pitot Tube

Reflecting the commitment of Festo Didactic to high quality standards in product, design, development, production, installation, and service, our manufacturing and distribution facility has received the ISO 9001 certification.

Festo Didactic reserves the right to make product improvements at any time and without notice and is not responsible for typographical errors. Festo Didactic recognizes all product names used herein as trademarks or registered trademarks of their respective holders. © Festo Didactic Inc. 2024. All rights reserved.

**Festo Didactic SE**

Rechbergstrasse 3  
73770 Denkendorf  
Germany

P. +49(0)711/3467-0  
F. +49(0)711/347-54-88500

**Festo Didactic Inc.**

607 Industrial Way West  
Eatontown, NJ 07724  
United States

P. +1-732-938-2000  
F. +1-732-774-8573

**Festo Didactic Ltée/Ltd**

675 rue du Carbone  
Québec QC G2N 2K7  
Canada

P. +1-418-849-1000  
F. +1-418-849-1666

**[www.labvolt.com](http://www.labvolt.com)**

**[www.festo-didactic.com](http://www.festo-didactic.com)**